

▶ THERE'S  
NOTHING  
LIKE IT!



**STACER**

**DAWN DUTY**  
The first rays of sun illuminate mist rising from the glassy water, disturbed only by the sounds of the waking birds morning calls and water lapping against your Stacer... now that's dawn duty.



### FAMILY MOMENTS

Whether it's their first fish or the one that got away, there are endless family moments just waiting to be lived in a Stacer. Live, laugh and play.



# CHOOSE YOUR



### ADRENALIN SEEKING

If it's boats that get your blood pumping and your heart thumping, then why wait? Whether its offshore fishing, wakeboarding or water skiing, start your next thrill-seeking adventure with a Stacer!

### TIME OUT

Don't get stuck on auto pilot, take a time out from the 'everyday' and make your weekends special. Recharge your batteries with no computers, emails, video games... just quality time with you, friends and family.





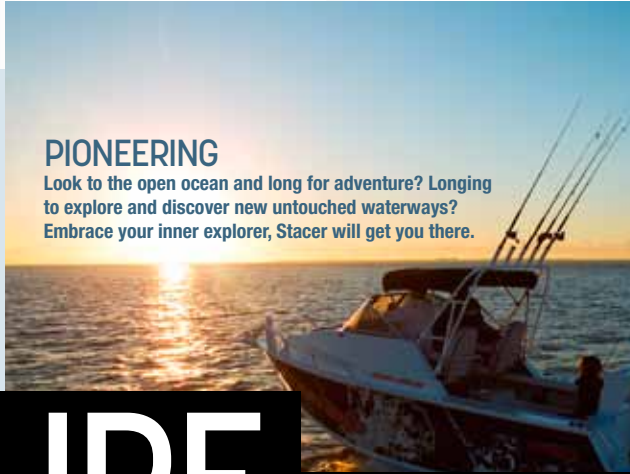


## ROMANTIC ESCAPES

Always dream of escaping to your own private beach for a romantic break? Make dreams next weekends holiday plans with your Stacer and explore your local waterways for that ideal secluded spot.

## PIONEERING

Look to the open ocean and long for adventure? Longing to explore and discover new untouched waterways? Embrace your inner explorer, Stacer will get you there.



# R ADVENTURE

[STACER.COM.AU](http://STACER.COM.AU) <<

no matter what  
your dreams may be,  
Stacer has you covered!





# WHY CHOOSE STACER

- + Wide Dealer Network
- + A Solid History
- + Strength & Durability
- + Value for Money
- + Extensive Range
- + Superb Design

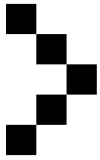
## A LIFETIME OF BOATING

At Stacer we are dedicated to providing quality products that deliver superior value and performance. We have over 40 years experience in boating and are a renowned leader in the aluminium boat industry.



## NOT JUST A BOAT!

When you buy a Stacer, you get so much more than just a boat! As a Stacer customer, you're backed by our 3 year factory warranty for peace of mind. Stacer also has a network of over 60 qualified marine retailers nationwide, so you can feel confident knowing there is always a dealership nearby to assist with any service or warranty enquiries.



As a Stacer owner you can enjoy all the benefits of a stylish, dependable Australian made and owned product that represents all that is youthful and fun.



### STACER TRAILERS

Cradle your pride and joy with a purpose built steel galvanised or aluminium Stacer trailer.

Each model has been perfectly matched with a Stacer trailer to make towing, launching and retrieving a breeze. Our trailers have been rigorously tested to withstand even the toughest journey, for more information refer to page 57.

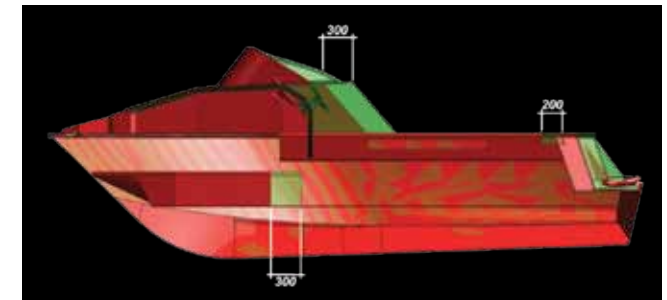
### KEEPING BOATING FUN!

At Stacer, we want to eliminate the hassle and make buying your boat FUN! Stacer's Ready2Go packages keep it simple, so you can get out on the water faster! Simply choose your favourite boat and then it is paired with the relevant Stacer Trailer and Evinrude outboard. Your package is then assembled, fitted and pre-rigged at the Stacer factory and covered by our 3 Year factory warranty, ready for your first outing!



### EASY-FOLD REAR LOUNGE

Taking time out is even easier with our new 'Easy Fold' rear lounge. In one fluid motion the lounge folds down from being flush with the transom... so a comfy seat is never far away, and never underfoot!



■ OLD    ■ ADDITIONAL SPACE

### LOW PROFILE SPORTS DECK

Our new Low Profile Sports Deck combines a raised top deck with a low profile windscreen for an improved driving position and a modern, sportier look. The new LPSD is featured on Baymaster (excl 449), Easy Rider and Sportster models.



### BIG BUNKS

Our new range of Stacer cabins are perfect for families and fishos alike; now with larger 6 foot bunks on 589 & 639 models, even more cockpit space and a larger more protected cabin design.



# INNOVATIVE DESIGNS

Using the latest technology and innovative design Stacer produces a range of hull designs that deliver outstanding performance on the water.

## **EVO** HULLS

We're proud of our new hull design, but we're also proud of our original EVO Hull which has a solid reputation for quality and reliability. Using a reverse chine design The EVO Hull continues to be used on many of our smaller models delivering superb stability and performance.

## **EVO** ADVANCE

Stacer's new EVO Advance Hull brings a new height to boating adventure offering the perfect combination of storage, stability and rough water performance. Built on the foundations of the renowned EVO Hull, the EVO Advance Hull is our most advanced hull design.

## **PROLINE** SPORTS HULL

The Proline Sports Hull is featured on the Proline range and sees the already wide beam of the Proline range come forward to the bow to provide superb stability for casting and the v-shape delivers a smooth ride.

## **SF SPORTS HULL**

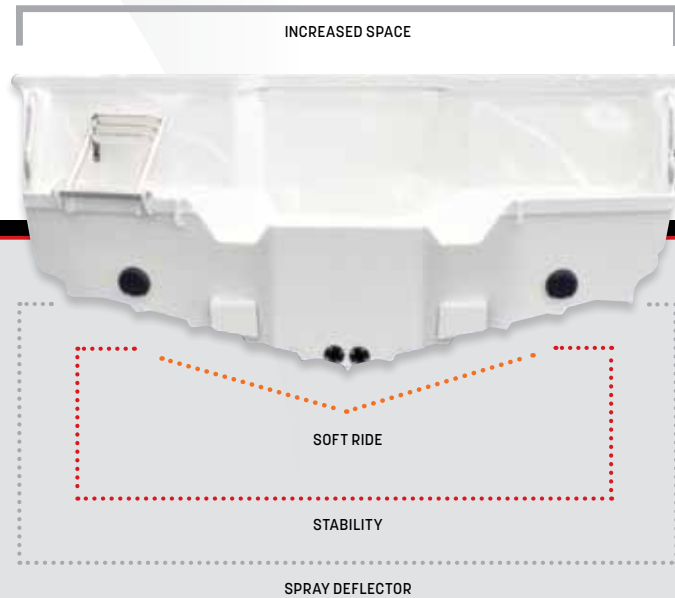
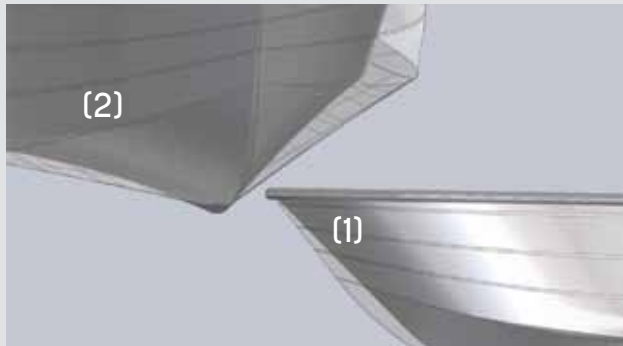
Exclusive to the SF Series models, the SF Sports Hull combines the sleek spray deflecting plate side sheets of the EVO Advance Hull with a concave high performing bottom sheet design. The result is a high performing hull that glides over the water and provides superb stability at rest. The hull also offers a unique tournament style transom with more usable space and storage.



**EVO**  
ADVANCE

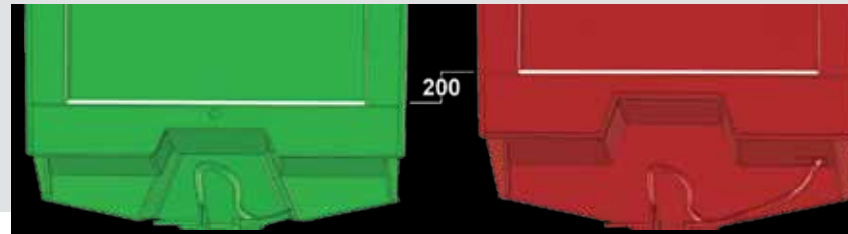
## Sharper Entry, Smoother Ride

The EVO Advance Hull takes Stacer's design principals to a whole new level. Featuring the combination of a sharper bow design (1) and a deeper V (2) the EVO Advance Hull delivers a smoother ride and impressive overall performance.



## Increased Space

The new transom of the EVO Advance Hull was designed to increase cockpit space and also make boarding easy by enclosing engine cables inside the transom keeping the boarding platform obstruction free.



■ The EVO Advance Hull delivers on average 200mm more internal space.

## Gunnel Bump Rubber

Stacer's larger models are built tough with a Gunnel Bump Rubber to keep your paint in top condition. This rubber insert runs along the gunnels protecting your boat when pulling up at a jetty or coming alongside other vessels.



## Level Flotation

Level Flotation is standard across the majority of the Stacer range, making our boats some of the safest on the water. Level Flotation enables Stacer boats to remain level and upright when swamped in calm water with passengers and cargo on board. For advice on whether your Stacer features Level or Basic flotation, contact your local dealer.



# POWER FOR ANY NEED

## PERFECT ENGINE CHOICE

Powering with an Evinrude E-TEC engine will give you even more time on the water.

You will benefit from Evinrude outboard engines low maintenance requirements - no dealer scheduled maintenance for 3 years or 300 hours - and superior fuel efficiency. And with class leading power and torque combined with greater control and handling, Evinrude offers enhanced outboard performance. Old Tech or E-TEC. The choice is yours.



### Easy to own & operate

- No scheduled dealer servicing for the first 3 years or 300 hours.
- No break-in period of oil changes.



### Clean & quiet

- Cleanest engine on the water.
- Quietest engine on the water.



### Durability, quality & reliability

- Fewer parts. Fewer problems.
- S.A.F.E. system; which automatically switches your engine to protect mode in the unlikely event of loss of oil or overheating.



### Power & performance

- Best in class acceleration.
- Best in class fuel-efficiency.







# POWER FOR ANY BUDGET



## **MORE AFFORDABLE**

When you buy a Stacer-Vortex Ready2Go Boat, Motor, Trailer Package you're buying a product backed and owned by Australia's largest Aluminium boat manufacturer.

With a Stacer-Vortex Package getting into boating has never been easier on the wallet. We're proud to say that Vortex engines are on average approximately 25% more affordable than a comparable outboard, so you can get into the boating package you've always wanted. Look no further than a Vortex outboard, backed by a 3 year warranty for peace of mind.

The Vortex range currently encompasses over 20 models with more still to come, starting with 2.5hp and ranging up to 40hp. Power your Stacer boating package with either a gutsy Vortex 2 stroke or fuel efficient 4 stroke engine in a tiller-steer or forward control configuration. The Vortex range also includes engines in a choice of manual or electric start.

For more information, specifications and images of the Vortex range visit [www.vortexmarine.com.au](http://www.vortexmarine.com.au)

## **Vortex Warranty**

Buying a boat is a big decision and can also be a big investment. With a Vortex outboard engine you receive value for money as well as peace of mind.

All Vortex engines are covered by a 3 year warranty backed by Telwater Australia's largest aluminium boat manufacturer. Telwater has over 20 years' experience in manufacturing and distributing Marine products. Now that's peace of mind!

# **3 YEAR WARRANTY**

# MORE FOR YOU

WWW.STACER.COM.AU

## Stacer Build my boat

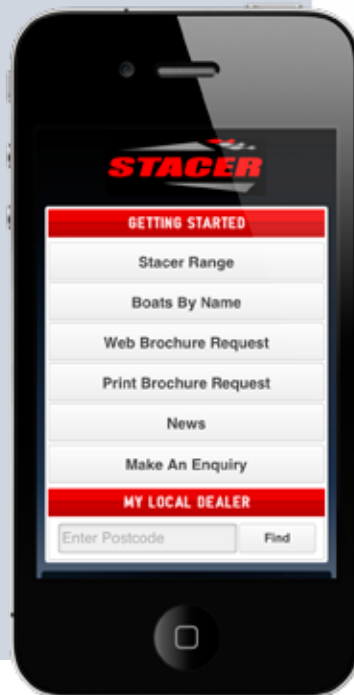
Design your dream boat with the new Stacer 'Build My Boat' function. Customise your chosen model with our range of options, colours, stripes and wraps and then submit your request for a quote with your local dealer. Be the envy of every fisherman on the water with your one of a kind custom Stacer.

## Find and compare your Stacer

Feeling a bit unsure about which model will suit your needs? Use our 'Find Your Stacer' tool to narrow down your search. Fill in the number of people you would like the boat to accommodate and also the size of your ideal boat. Once you have narrowed down the search, you can compare the specs of the boats on your list.

## Stacer out and about

Out and about and need some Stacer information? Not to worry, the new Stacer mobile site has everything at your fingertips. Scan this QR code to visit our website and look out for these throughout our catalogue.



## More Online

There's more information than ever before on [www.stacer.com.au](http://www.stacer.com.au) with news, reviews and images galleries of each model at your fingertips.



# CHOOSE YOUR ELECTRONICS



## LOWRANCE

### Lowrance Mark-5 and Elite-5 HDI:

Available in a 5" combo or sounder only with both down scan and traditional sonar available.

**STANDARD FIT**

Mark-5

**NEW! Hybrid Dual Imaging™**

Elite-5 HDI

## LOWRANCE

Elite-7 HDI

### Lowrance Elite-7 HDI:

NEW! Hybrid Dual Imaging™ Available in a 7" widescreen combo, sounder or chartplotter.

**UPGRADE**



Elite-7 HDI

## LOWRANCE

HDS Gen2 HDS Gen2 Touch

### Lowrance HDS Gen2 & Gen2 Touch

NEW! HDS-Gen2 and Gen2 Touch available in sizes between 5" and 12".

**UPGRADE**



HDS-5 Gen 2

HDS-12 Gen 2 Touch

## What's your pick?

### Features:

	Lowrance HDS Gen 2 Touch	Lowrance HDS Gen 2	Lowrance Elite-7 HDI	Lowrance Mark & Elite
Networkable Plug and play any Lowrance module.	●	●		
StructureScan™ The ultimate in reality echosounding. * Requires LSS-2 Module.	●	●*		
DownScan Imaging See underwater environments in a clear, new way. * With DSI Models.			●	●+
Broadband Radar A revolution in radar.	●	●		
Built-in Broadband Sounder Incredible echo clarity. ‡ Elite models only.	●	●	●	●‡
Transducer included Supplied with a standard transducer.			●	●
Touch Screen Easy to use touch screen control.	●			
Insight Mapping Insight Genesis™ allows you to create free customized maps based on your own survey data.	●	●	●	



# PROLINES

STACER.COM.AU <<

Designed for rivers, estuaries, creeks, dams and lakes, Stacer's Proline range have a model to suit your every on-water need.

There are eight models in the Proline range all built with front and rear bench seats and backed by a 3 year warranty for peace of mind. These compact little models feature the superb stability and smooth ride of the Proline Sports Hull.







**THE RANGE**

- 319 Proline // 349 Proline Cartopper
- 359 Proline // 379 Proline
- 399 Proline // 429 Proline
- 399 Proline Angler
- 429 Proline Angler

**PLI**

PROLINES

**FEATURING**

- 399 PROLINE
- Transom Handles
- Bowrails
- Anchor Gusset
- Rowlock Blocks
- Bench Seats



**PROLINE**  
SPORTS HULL

- 429 PROLINE ANGLER
- Extruded Side Decks
- Casting Platform
- Multiple Seat Positions
- Side Pocket
- Full Carpeted Floor



**PROLINE**  
SPORTS HULL





# 379 PROLINE

FEATURED BOAT // A

## 379 Proline

Measuring 3.75 meters and capable of carrying four people, the 379 Proline is great for tendering duties and the wide beam allows room for a fish on the way to shore.

**PROLINE**  
SPORTS HULL

379 Proline  
BOW HANDLE  
ANCHOR SHELF  
GLOVE BOX  
**PROLINE**  
SPORTS HULL





### 319 Proline

This compact little model is lightweight with low sides. Built on a Proline Sports Hull, this zippy model will have you gliding across the water's surface.



B // 319 PROLINE

PROLINE  
SPORTS HULL

### 349 Proline Cartopper

A camping trip wouldn't be the same without the lightweight 349 Proline Car Topper. Designed with streamlined gunnels and a narrow beam, it's the perfect companion on most rivers, dams and estuaries.



C // 349 PROLINE CARTOPPER

### 359 Proline

The 359 Proline offers great stability and a smooth and comfortable ride thanks to the Proline Sports Hull and 1.55m beam.



D // 359 PROLINE

PROLINE  
SPORTS HULL

349 Proline Cartopper  
TRANSOM HANDLES  
FLAT TOPDECK  
BOW HANDLES

PROLINE  
SPORTS HULL

#### MEASUREMENTS

	319 PROLINE	349 PROLINE CARTOPPER	359 PROLINE	379 PROLINE
LENGTH MAXIMUM:	3.24M	3.51M	3.55M	3.75M
LENGTH OF HULL:	3.24M	3.46M	3.55M	3.75M
BEAM:	1.32M	1.25M	1.55M	1.64M
DEPTH:	0.54M	0.50M	0.62M	0.62M
LENGTH ON TRAILER:	4.67M	-	4.67M	4.67M
HEIGHT ON TRAILER:	1.35M	-	1.40M	1.40M
BOTTOMSIDES:	1.60MM	1.20MM	1.60MM	1.60MM
TOPSIDES:	1.60MM	1.20MM	1.60MM	1.60MM
TRANSOM MATERIAL:	1.60MM	1.2MM	1.60MM	1.6MM
TRANSOM SHAFT LENGTH:	S/S	S/S	S/S	S/S OR L/S
WEIGHT (BOAT ONLY):	63KG	52KG	80KG	90KG
MIN. HP:	6HP	5HP	5HP	8HP
MAX. HP:	10HP	8HP	15HP	25HP
MAIN MOTOR WEIGHT:	44KG	42KG	58KG	58KG
NUMBER OF PEOPLE (BASIC):	4	4	4	4
NUMBER OF PEOPLE (LEVEL):	N/A	N/A	N/A	N/A
PACKAGE TRAILER:	TQLTEIO	N/A	TQLTEIO	TQLTEIO

#### STANDARD

GLOVE BOX WITH DRINK HOLDERS		+	+	+
HANDLES: BOW (2)		+		
HANDLES: TRANSOM (2)	+	+	+	+
ROWLOCK BLOCKS (SET)	+	+	+	+
SEAT: BENCH SEAT FLOTATION	+	+	+	+
SEAT: FRONT & REAR BENCH SEAT	+	+	+	+
SOLID CORNERS	+	+	+	+
TRANSOM STRUT	+	+	+	+

#### OPTIONS

COVERS: BIMINI & ENVELOPE	+	+	+	+
FLOOR: CARPETED FUEL TANK RACK	+	+	+	+
HULL STRIPE	+	+	+	+
PAINT: TWO TONE	+	+	+	+
PAINTED HULL	+	+	+	+
RAILS: AFT SHORT SIDE	+	+	+	+
RAILS: LOW BOWRAILS	+	+	+	+
ROD HOLDERS (2)	+	+	+	+
TRANSDUCER BRACKET	+	+	+	+
VINYL WRAP	+	+	+	+



For more options contact your local dealer. Measurements, standard features and options subject to variation. Images for illustration purposes only.





# 399 PROLINE

FEATURED BOAT // A

## 399 Proline

Get to your favourite fishing destination faster with the 399 Proline. Built on the Proline Sports Hull this model is able to become a compact speed machine that can carry four people.

**PROLINE**  
SPORTS HULL

### 399 Proline

- BOWRAILS
- TRANSOM HANDLES
- ANCHOR GUSSET

**PROLINE**  
SPORTS HULL



BOAT / MOTOR / TRAILER  
**3 YEAR**  
LIMITED WARRANTY



## 429 Proline

The no fuss 429 Proline is built for enjoyment, featuring front and rear bench seats for you and your mates to head off to the top fishing spots. Option up your 429 Proline and turn it into the ultimate fishing machine with the addition of Stacer rod holders and a rear casting platform.



B // 429 PROLINE

PROLINE  
SPORTS HULL

## 399 Proline Angler

The 399 Proline Angler is the perfect entry level fishing boat. Featuring full carpeted floor, rod holders and spacious side pockets, first time boaties will quickly become professionals with the 399 Proline Angler.



C // 399 PROLINE ANGLER

PROLINE  
SPORTS HULL

## 429 Proline Angler

Built on the Proline Sports Hull, this model is born to fish with fishing focused accessories including a casting platform with storage and rod holders. The lakes, estuaries, rivers and dams are waiting for you!

*Optional two tone paint shown.*



D // 429 PROLINE ANGLER

PROLINE  
SPORTS HULL

### 399 Proline Angler

SIDE POCKET  
MULTIPLE SEAT POSITIONS  
CASTING PLATFORM

PROLINE  
SPORTS HULL



### MEASUREMENTS

	399 PROLINE	429 PROLINE	399 PROLINE ANGLER	429 PROLINE ANGLER
LENGTH MAXIMUM:	3.99M	4.25M	3.99M	4.25M
LENGTH OF HULL:	3.99M	4.25M	3.99M	4.25M
BEAM:	1.82M	1.83M	1.82M	1.83M
DEPTH:	0.80M	0.80M	0.80M	0.80M
LENGTH ON TRAILER:	5.65M	5.65M	5.65M	5.65M
HEIGHT ON TRAILER:	1.40M	1.50M	1.40M	1.50M
BOTTOMSIDES:	1.60MM	2.00MM	1.60MM	2.00MM
TOPSIDES:	1.60MM	1.60MM	1.60MM	1.60MM
TRANSOM MATERIAL:	1.60MM	2.00MM	2.00MM	2.00MM
TRANSOM SHAFT LENGTH:	S/S or L/S	L/S	L/S	L/S
WEIGHT (BOAT ONLY):	111KG	132KG	222KG	230KG
MIN. HP:	15HP	30HP	25HP	30HP
MAX. HP:	30HP	40HP	30HP	40HP
MAIN MOTOR WEIGHT:	120KG	120KG	120KG	120KG
NUMBER OF PEOPLE (BASIC):	5	5	4	4
NUMBER OF PEOPLE (LEVEL):	N/A	4	N/A	N/A
PACKAGE TRAILER:	TQ1TE	TQ46	TQ1TE	TQ46

### STANDARD

ALLOY CLEAT ON FRONT DECK				+
BATTERY TRAY IN CASTING PLATFORM			+	+
EXTRUDED SIDE DECKS			+	+
FLOOR: CARPETED FULL FLOOR			+	+
FLOOR: CASTING PLATFORM			+	+
FLOOR: CARPETED FUEL TANK RACK		+		
FLOOR: CASTING PLATFORM STORAGE BINS			+	+
FLOOR: REAR CASTING PLATFORM			+	+
GLOVE BOX WITH DRINK HOLDERS	+	+		
HANDLES: TRANSOM (2)	+	+	+	+
PAINTED WITH STRIPES			+	+
RAILS: SHORT LOW BOWRAILS	+	+		
RAILS: AFT SHORT SIDE	+	+	+	+
RAILS: LOW BOWRAILS			+	+
ROD HOLDERS (2)			+	+
SEAT: BENCH SEAT FLOTATION	+	+		
SEAT: FRONT & REAR BENCH SEAT	+	+		
SEAT: POSITIONS (5)			+	+
SEAT: SKIPPER (2)			+	+
SIDE POCKET: PORT			+	+
TRANSDUCER BRACKET			+	+

### OPTIONS

ACCESSORY KIT			+	+
COVERS: BIMINI & ENVELOPE	+	+	+	+
BOW MOUNT THRUSTER PLATE LARGE			+	+
CONSOLE: SIDE CONSOLE			+	+
EXTRUDED SIDE DECKS	+	+		
FLOOR: CARPETED FUEL TANK RACK	+			
FLOOR: CARPETED LOW FLOOR	+	+		
FLOOR: CASTING PLATFORM	+	+		
FLOOR: FULL CARPETED BETWEEN SEATS	+	+		
FLOOR: REAR CASTING PLATFORM WITH LBT			+	+
FOLD DOWN DRINK HOLDER			+	+
IGNITION BOX (3 SWITCH)			+	+
PAINT: TWO TONE	+	+	+	+
PAINTED HULL	+	+		
PLUMBED LIVEWELL AT FRONT			+	+
REAR CASTING PLATFORM	+	+		
ROD HOLDERS (2)	+	+	+	+
SEAT: SKIPPER			+	+
SIDE POCKET	+	+	+	+
TRANSDUCER BRACKET	+	+		
TRANSOM STEP & RAIL	+	+	+	+
UNDERFLOOR FUEL TANK 40 LITRES			+	+
UNDERFLOOR SEAT POSITION			+	+
VINYL WRAP	+	+	+	+

# CHOOSE YOUR OPTION

Accessory Kit Includes:  
 + Battery Box + Isolator Switch + Auto Bilge Pump  
 + Switch Panel + Navigation Lights  
 For more accessory options visit [www.stacer.com.au](http://www.stacer.com.au)

SIDE POCKET



BAIT BOARD



3/4 REAR FOLDING LOUNGE & TRANSOM BACK REST



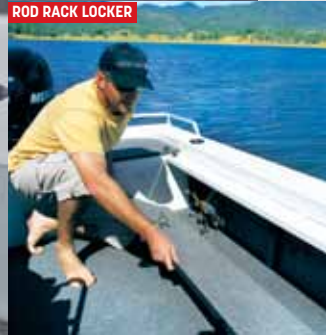
SKIPPER SEAT



MARITIME SEAT



ROD RACK LOCKER



SPORTS CONSOLE



TELESCOPIC LADDER



SKI POLE



SIDE CONSOLE



TRANSOM STEP



TRANSOM DOOR SHUT



FUEL TANK RACK



GME CD/RADIO



TRANSOM MOUNTED LIVE BAIT TANK



FISH BOX SEAT



BAIT BOARD & LIVE BAIT TANK



LOWRANCE SOUNDER



TRANSOM DOOR OPEN



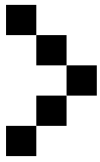
BURLEY BUCKET



LOWRANCE VHF RADIO





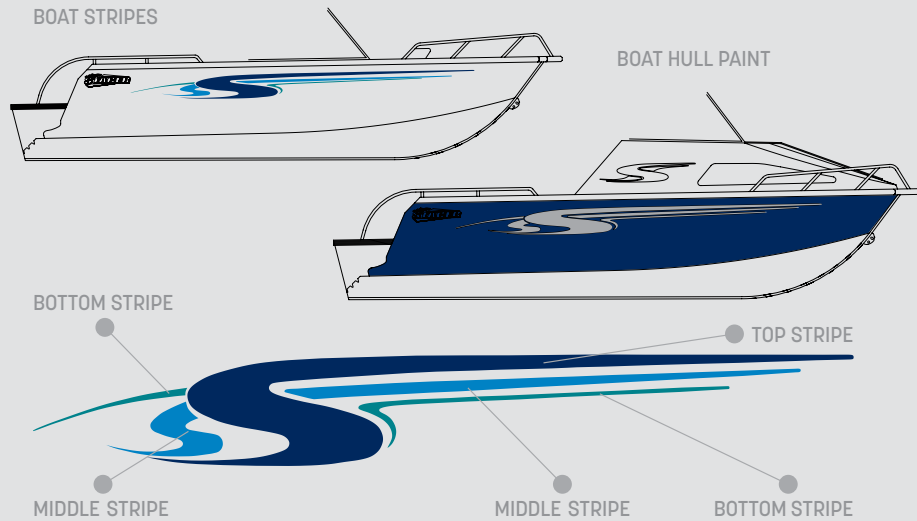


# CHOOSE YOUR COLOUR

## STRIPES & COLOURS

Once you have decided on your choice of boat - now is the chance to colour coordinate stripe decals and canopy colours to suit your individual taste. View the colour examples below to ensure your Stacer boat stands out from the crowd!

BOAT STRIPES



## Stripe Colours >

- DARK GREEN
- TEAL
- OLYMPIC BLUE
- SAPPHIRE BLUE
- OCEAN BLUE
- BLACK
- LIGHT GREY
- BURGUNDY
- RED
- YELLOW
- TAUPE
- WHITE

## Two Tone Boat Colours >

- LIGHT BLUE
- SUNBURN
- BLACK
- CLOUD GREY
- RED
- DUNE
- NAVY
- TOXIC GREEN

# CHOOSE YOUR WRAP



GALAXY



TRIBAL

## WRAPS Don't just stand out from the crowd - jump out!

Our UV stabilised laminate offers extra durability in four eye-catching designs, in a selection of colours.

- + choose from our four designs or supply your own
- + included under 3 year warranty
- + more resistant to chips and scratches than paint
- + high quality adhesive vinyl covered with a UV stabilised laminate for extra durability
- + applied at the factory by our specialised team

### WRAP DESIGNS & COLOURS AVAILABLE:

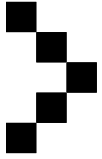
- GALAXY** Available in Blue, Green, Orange and Red
- SPLINTER** Available in Blue, Green, Orange, Purple and Red
- TRIBAL** Available in Blue, Light Blue Green, Grey, Toxic Green and Red
- HOOKED** Available in Blue, Light Blue, Green, Toxic Green and Red



SPLINTER



HOOKED



# CHOOSE YOUR COVER



CANOPY



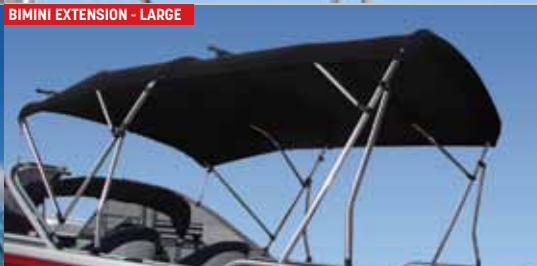
BIMINI & ROCKET LAUNCHER



BIMINI FRONT & CLEAR SIDES



NT & NQ BIMINI



BIMINI EXTENSION - LARGE



BIMINI EXTENSION



NOMAD BIMINI



BOWRIDER TONNEAU COVER



CABIN FRONT HATCH COVER

JET BLACK

WHITE ON GREY

RED

CAPTAIN NAVY

CADET GREY

BURGUNDY

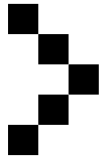
PERSIAN GREEN

PACIFIC BLUE

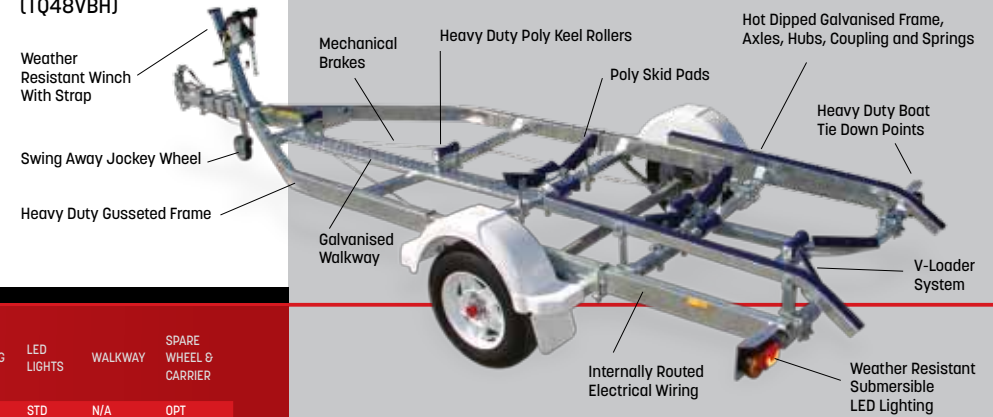
TOAST

**Canopies and Biminis**  
Option up to have front and side clears or side curtains for further protection. Storm and tonneau covers are also available - all in a range of colours to match your boat!





## V-LOADER SERIES (TQ48VBH)

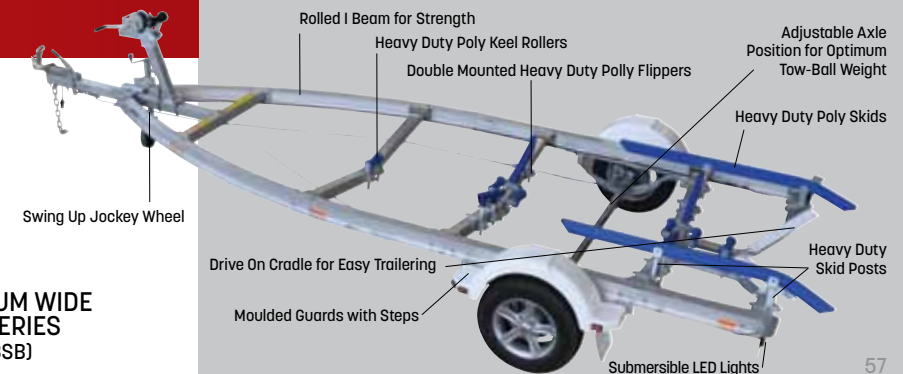


TRAILER CODE	DESCRIPTION	ATM KG	LENGTH MM	TARE WEIGHT KG	WIDTH MM	BRAKES	TYRE SIZE	ALLOY/STEEL WHEELS	GALVANISED AXLE/SPRING	WHEEL GUARDS	SWING UP JOCKEY	SEALED BEARING UNITS	LED LIGHTS	WALKWAY	SPARE WHEEL & CARRIER
<b>V LITE SERIES</b>															
TQLITE	460 LITE WEIGHT 650KG 13" L/SKIDS	650	4900	160	2010	N	13"	STEEL	STD	Y	DOLLY	N/A	STD	N/A	OPT
TQLITE10	370 LITE WEIGHT 600KG 10" S/SKIDS	600	4150	140	1890	N	10"	STEEL	STD	Y	DOLLY	N/A	STD	N/A	OPT
TQLITE13	400 LITE WEIGHT 600KG 13" L/SKIDS	600	4600	160	2010	N	13"	STEEL	STD	Y	DOLLY	N/A	STD	N/A	OPT
<b>V LINE SERIES</b>															
TQ37	310-370 V-LINE 700KG 10" S/SKIDS	700	4200	160	2000	N	10"	ALLOY	STD	Y	SMALL	STD	STD	OPT	OPT
TQ42	380-420 V-LINE 700KG 13" L/SKIDS	700	4580	160	2000	N	13"	ALLOY	STD	Y	SMALL	STD	STD	OPT	OPT
TQ46	430-460 V-LINE 749KG 13" L/SKIDS	749	5120	210	2000	N	13"	ALLOY	STD	Y	SMALL	STD	STD	STD	OPT
TQ46B	430-460 V-LINE 1000KG 13" L/SKIDS BRAKE	1000	5160	210	2000	Y	13"	ALLOY	STD	Y	SMALL	STD	STD	STD	OPT
TQ46BW	430-460 V-LINE 1000KG 13" L/SKIDS WIDE BRAKE	1000	5150	210	2240	Y	13"	ALLOY	STD	Y	SMALL	STD	STD	STD	OPT
TQ46W	430-460 V-LINE 749KG 13" L/SKIDS WIDE	749	5110	210	2240	N	13"	ALLOY	STD	Y	SMALL	STD	STD	STD	OPT
TQ48	460-480 V-LINE 749KG 13" L/SKID	749	5610	260	2000	N	13"	ALLOY	STD	Y	SMALL	STD	STD	STD	OPT
TQ48B	460-480 V-LINE 1000KG 13" L/SKID BRAKED	1000	5650	260	2000	Y	13"	ALLOY	STD	Y	8"	STD	STD	STD	OPT
<b>V LOADER SERIES</b>															
TQ48VB	460-480 VLOADER 1000KG 13" BRAKED	1100	5700	260	2000	Y	13"	ALLOY	STD	Y	8"	STD	STD	STD	OPT
TQ48VBH	460-480 VLOADER 1180KG 13" BRAKED	1180	5700	260	2000	Y	13"	ALLOY	STD	Y	8"	STD	STD	STD	OPT
TQ48VBHW	460-480 VLOADER 1180KG 13" BRAKED WIDE	1180	5650	260	2240	Y	13"	ALLOY	STD	Y	8"	STD	STD	STD	OPT
TQ51VB	480-510 VLOADER 1000KG 13" BRAKED	1000	5900	320	2010	Y	13"	ALLOY	STD	Y	8"	STD	STD	STD	OPT
TQ51VBH	480-510 VLOADER 1180KG 13" BRAKED	1180	5900	320	2010	Y	13"	ALLOY	STD	Y	8"	STD	STD	STD	OPT
TQ51VBH4	480-510 VLOADER 1450KG 14" BRAKED	1450	5900	320	2010	Y	14"	ALLOY	STD	Y	8"	STD	STD	STD	OPT
<b>WIDE FRAME V LOADER SERIES</b>															
TQ51VBH4W	480-510 VLOADER 1450KG 14" BRAKED WIDE	1450	5900	320	2270	Y	14"	ALLOY	STD	Y	8"	STD	STD	STD	OPT
TQ51VBHW	480-510 VLOADER 1180KG 13" BRAKED WIDE	1180	5900	320	2270	Y	13"	ALLOY	STD	Y	8"	STD	STD	STD	OPT
TQ58VBW	510-580 VLOADER 1450KG 14" BRAKED WIDE	1450	5980	320	2270	Y	14"	ALLOY	STD	Y	8"	STD	STD	STD	OPT
TQ61VBW	580-620 VLOADER 1450KG 14" BRAKED WIDE	1450	6650	380	2270	Y	14"	ALLOY	STD	Y	8"	STD	STD	STD	OPT
TQ61VBWT	580-620 VLOADER 2000KG 13" BRAKED WIDE TANDEM	2000	6650	420	2270	Y	13"	ALLOY	STD	Y	8"	STD	STD	STD	OPT
TQ66VBWT	620-660 VLOADER 2000KG 13" BRAKED WIDE TANDEM	2000	7120	420	2270	Y	13"	ALLOY	STD	Y	8"	STD	STD	STD	OPT
TQ70VBWT	660-700 VLOADER 2000KG 13" BRAKED WIDE TANDEM	2000	7120	420	2270	Y	13"	ALLOY	STD	Y	8"	STD	STD	STD	OPT
TQ70VBWT25	660-700 VLOADER 2500KG 14" BRAKED WIDE TANDEM	2500	7380	580	2270	Y	14"	ALLOY	STD	Y	8"	STD	STD	STD	OPT
<b>ALUMINIUM SERIES</b>															
TA1298S13SB	T ALLOY 1298 ATM S 13" SKID BRAKED	1298	5830	280	2240	Y	13"	ALLOY	STD	Y	8"	STD	STD	OPT	OPT
TA1400S13SB	T ALLOY 1400 ATM S 13" SKID BRAKED	1400	5830	280	2240	Y	13"	ALLOY	STD	Y	8"	STD	STD	OPT	OPT
TA1595S14SB	T ALLOY 1595 ATM S 14" SKID BRAKED	1595	6020	320	2310	Y	14"	ALLOY	STD	Y	8"	STD	STD	OPT	OPT
<b>MULTI-ROLLER SERIES</b>															
TAB612000T13RB	T ALLOY BLADE 610 2000 ATM T 13" ROLLER BRAKED	2000	7000	440	2240	Y	13"	ALLOY	STD	Y	8"	STD	STD	OPT	OPT
TAB652000T13RB	T ALLOY BLADE 650 2000 ATM T 13" ROLLER BRAKED	2000	7000	440	2240	Y	13"	ALLOY	STD	Y	8"	STD	STD	OPT	OPT
TAB692000T13RB	T ALLOY BLADE 690 2000 ATM T 13" ROLLER BRAKED	2000	7380	500	2240	Y	13"	ALLOY	STD	Y	8"	STD	STD	OPT	OPT
TAB692750T14RB	T ALLOY BLADE 690 2750 ATM T 14" ROLLER BRAKED	2750	7380	560	2310	Y	14"	ALLOY	STD	Y	8"	STD	STD	OPT	OPT

Standard = ✓ Not Applicable = ✗

These trailers are designed for use on sealed roads only and are not recommended for consistent off-road use. Measurements and weights are subject to variation.

Recommended trailer ATM's are based on standard boat and trailer weights, max motor weight and full fuel. Ensure that your particular requirements and intended use do not exceed these provisions. Placing the boat on a non-specified trailer may void boats warranty.

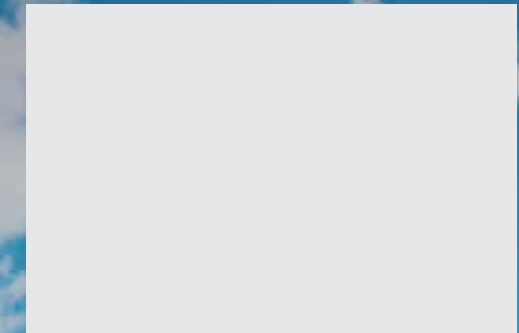


## ALUMINIUM WIDE FRAME SERIES (TA1400S13SB)





For more information on the Stacer range, options available, recent news and events plus more visit [stacer.com.au](http://stacer.com.au)



#### **IMPORTANT**

The contents of this brochure will not form part of any contractual agreement. Stacer recommends that all persons comply with their local boating regulations and are familiar with safe boating practices. This brochure is designed to provide you with an introduction to the Stacer products. Stacer reserves the right at any time, at its discretion, and without notice, to discontinue or change the features, designs, materials, colours, specifications and the prices of its products, and to either permanently or temporarily withdraw any such products from the market without incurring any liability to any prospective purchaser. Details referred to in this brochure are based on pre-production specifications and could be altered or deleted prior to the boat's sale date. Because of variations which occur in manufactured products, all capacities, measurements, dimensions and weights quoted should be taken as approximates only and are subject to change. Every effort has been made to depict boat colours and trims as realistically as possible in this brochure, however some variation may occur due to printing limitations. Always consult with an authorised Stacer dealer for the latest information with respect to features, specifications, prices, optional equipment and availability before deciding to purchase. Stacer do not offer factory direct sales or prices. For updated specifications including warranty, please refer to the Stacer website: [www.stacer.com.au](http://www.stacer.com.au)

\*Telwater Pty Ltd 15 010 795 507  
53 Waterway Drive, Coomera, Queensland 4209 Australia.  
Version 3 Printed June 2013